

Nyloc Insert Nut

Thread Type: BSF - Fine

Thread Direction: Right Hand

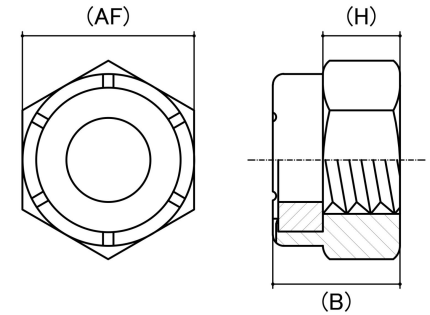
Material: Carbon Steel

Class Grade: High Tensile Grade 5

Finish: Zinc Plated

Corrosion Protection Level: Moderate

Standard: BS 1083:1965



*CAD drawings shown for graphic representation only.**

Size	Thread Pitch (TPI)	Thread Type	Overall Nut Height (B) (mm)		Hex Height (H) (mm)	Across Flats (AF) (mm)		Spanner Size (AF) (inches)	sku (qfind)
			Min	Max	Nom	Min	Max		
1/4"	26	Fine	7.55	8.35	6.45	10.88	11.16	7/16	41NBSF14
5/16"	22	Fine	9.50	10.30	7.20	13.08	13.33	9/16	41NBSF516
3/8"	20	Fine	11.10	11.90	8.19	15.04	15.24	9/16	41NBSF38
7/16"	18	Fine	13.30	13.70	10.53	17.85	18.25	11/16	41NBSF716
1/2"	16	Fine	16.00	16.70	13.54	20.62	20.83	7/8	41NBSF12

Disclaimer:

Dimensional data and technical information was obtained from publically available sources and not acquired through standard agencies. It has been completed and compiled for reference purposes only; where discrepancies are found they are subject to change without notice. Bolt & Nut Australia makes no warranties or representations regarding the accuracy and validity of the compiled information and data. Contact the relevant standard authorities for accurate and detailed information.

* CAD drawings may not reflect diameter, thread length or overall length.

© Bolt & Nut Australia Pty Ltd. All rights reserved.

Version: 18 Mar 2024